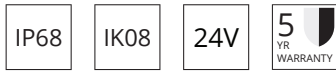


PHHB1221



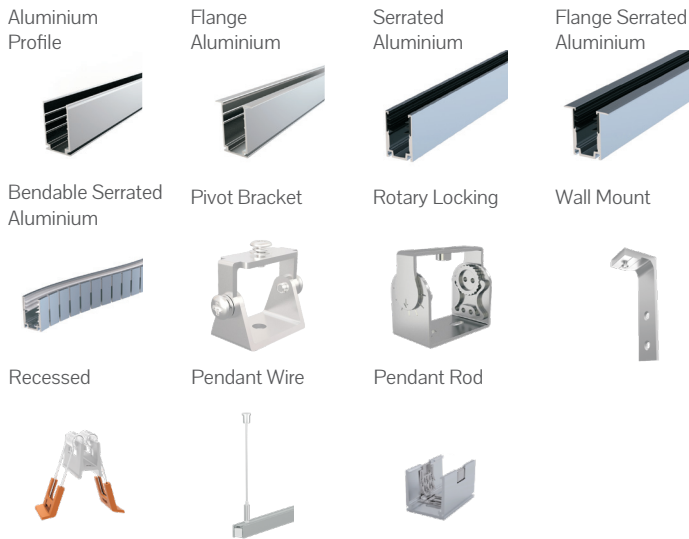
Key Features

- Minimum bend diameter - 120mm
- Ambient working temperature: (-)40°C to (+)55°C
- Bending Direction - Horizontal
- Cut Length (Monochrome) - 83.3
- Cut Length (Tunable white / Dim to Warm) - 83.3
- Cut Length (RGB / RGBW) - 100
- DMX Pixel Light options available on request

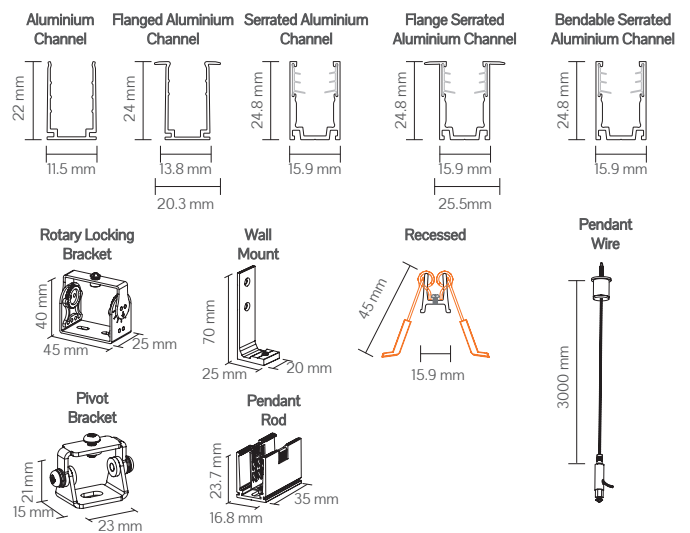
Connectors



Mounting Accessories



Accessory Dimensions



Code

Example:

PHHB1221 - 068022DEDO-2400

Code	Wattage (W/m)		CRI	CCT			Connector		Driver		Length
				lm/m							
PHHB1221	06	6	80	22	2200K	450	DE	Direct Entry	DO	Non-Dim	-xxxx
	09	9			27	2700K				465	
	12	12	90	30	3000K	465	SR	Right side entry	CA	Casambi	
	15	15			35	3500K				580	
			40	4000K	580			PH	Phase Dim		
			57	5700K	580			RC	2.4Ghz Remote Control		
			TW	2200K-5700K							
			DW	1800K-3000K							
			RGB	RGB							
			R2	RGBW (2700K)							
			R3	RGBW (3000K)							
			R4	RGBW (4000K)							

Lumen/m figures based on, 12W, CRI>80.

FOS Lighting reserve the right to change any data without notification. ### CRI>90 only in 12W/m in 2700K, 3000K, 3500K, 4000K