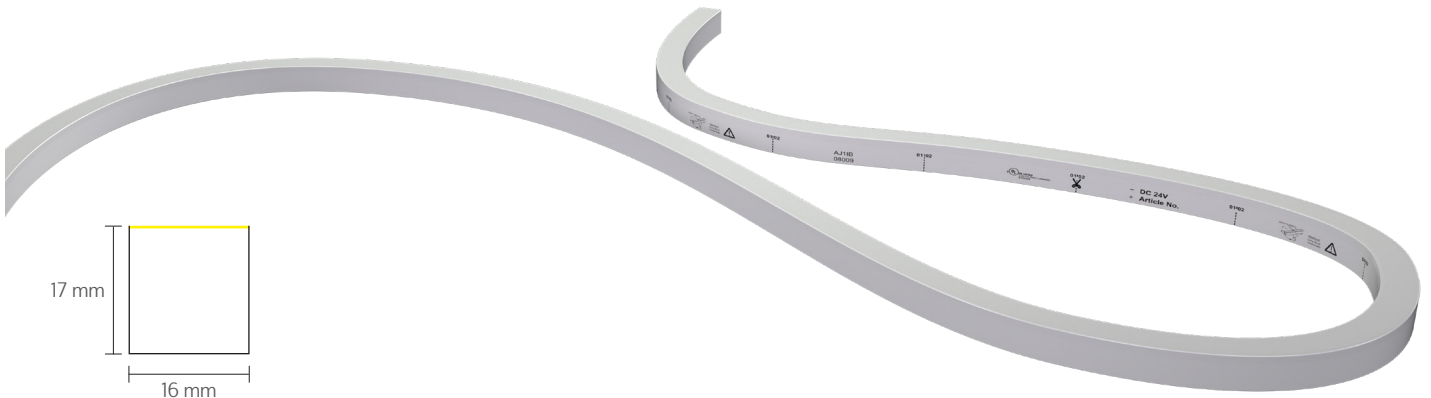
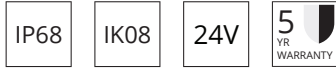


PHHB1617



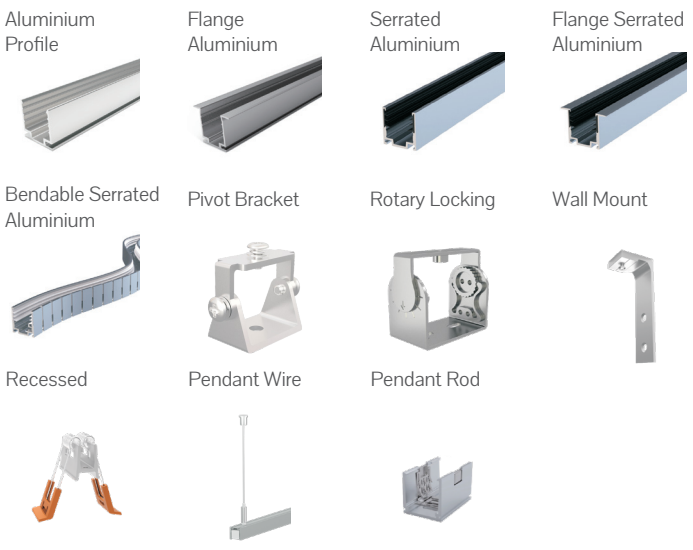
Key Features

- Minimum bend diameter - 300mm
- Ambient working temperature: (-)40°C to (+)55°C
- Bending Direction - Horizontal
- Cut Length (Monochrome) - 55.6mm
- Cut Length (Tunable white) - 83.3mm
- Cut Length (Dim to Warm) - 62.5mm
- Cut Length (RGB / RGBW) - 83.3mm
- SPI Pixel Light options available on request

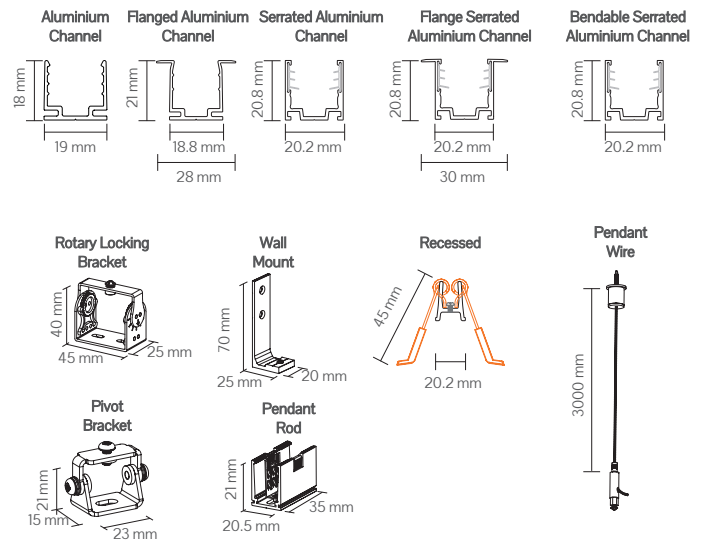
Connectors



Mounting Accessories



Accessory Dimensions



Code

Example: PHHB1617 -068022DEDO - 2400

Code	Wattage (W/m)		CRI	CCT	lm/m		Connector		Driver		Length	
PHHB1617	06	6	80	CRI>80	22	2200K	380	DE	Direct Entry	DO	Non-Dim	-xxxx
	09	9			27	2700K	470	SL	Left side entry	DA	DALI	
	12	12	90	CRI>90###	30	3000K	470	SR	Right side entry	CA	Casambi	
	15	15			35	3500K	480	BE	Bottom Entry	SW	Switch Dim	
	40	4000K	480	TW	2200K-5700K		PH	Phase Dim				
	57	5700K	480	DW	1800K-3000K		RC	2.4Ghz Remote Control				
	RGB	RGB		RGB	RGB							
	R2	RGBW (2700K)		R2	RGBW (2700K)							
	R3	RGBW (3000K)		R3	RGBW (3000K)							
	R4	RGBW (4000K)		R4	RGBW (4000K)							

Lumen/m figures based on, 12W, CRI>80.

FOS Lighting reserve the right to change any data without notification. ### CRI>90 only in 12W/m in 2700K, 3000K, 3500K, 4000K