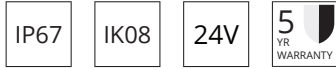


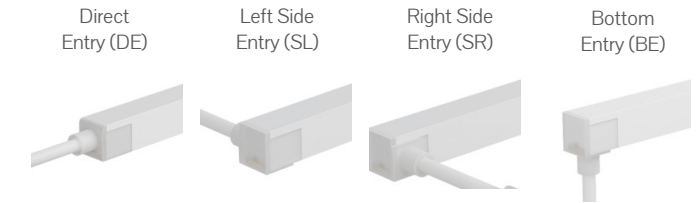
# PHHB1010



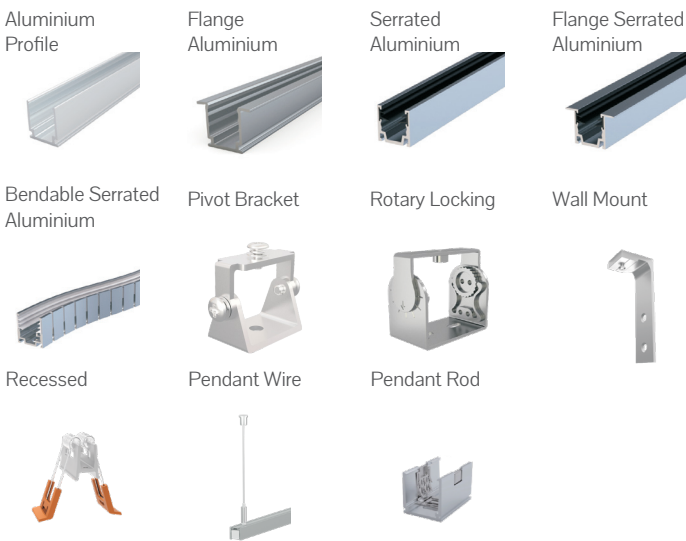
## Key Features

- Minimum bend diameter - 100mm
- Ambient working temperature: (-)40°C to (+)55°C
- Bending Direction - Horizontal
- Cut Length (Monochrome) - 83.3

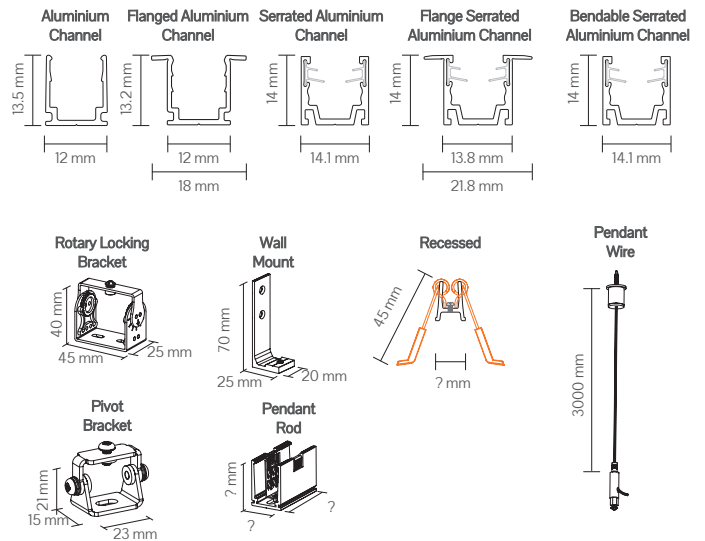
## Connectors



## Mounting Accessories



## Accessory Dimensions



## Code

Example: PHHB1010 - 0580DED0 - 2400

Code	Wattage (W/m)		CRI		CCT			Connector		Driver		Length
	05	4.5	80	CRI>80	22	2200K	185	DE	Direct Entry	DO	Non-Dim	
PHHB1010	09	9	90	CRI>90###	27	2700K	210	SL	Left side entry	DA	DALI	
					30	3000K	210	SR	Right side entry	CA	Casambi	
					35	3500K	210	BE	Bottom Entry	SW	Switch Dim	
					40	4000K	210			PH	Phase Dim	
					57	5700K	210					

# Lumen/m figures based on, 12W, CRI>80.

## FOS Lighting reserve the right to change any data without notification. ### CRI>90 only in 4.5W/m in 2700K, 3000K, 3500K, 4000K