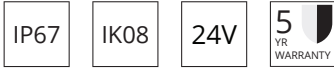


PHVB1010



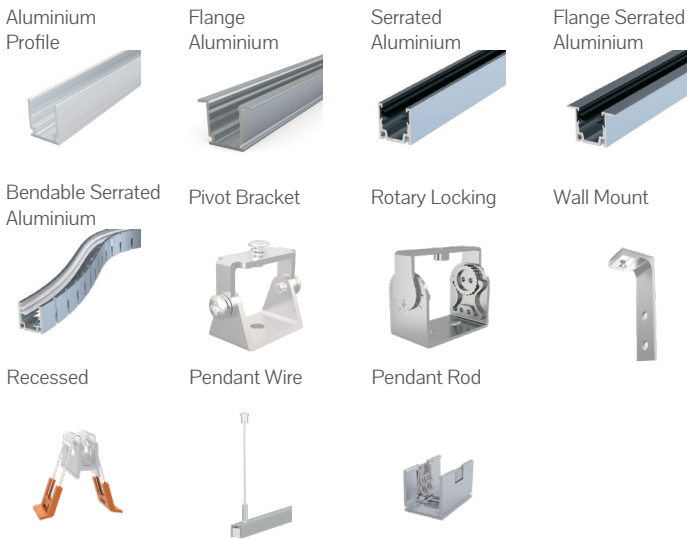
Key Features

- Minimum bend diameter - 100mm
- Ambient working temperature: (-)40°C to (+)55°C
- Bending Direction - Vertical
- Cut Length (Monochrome) - 83.3

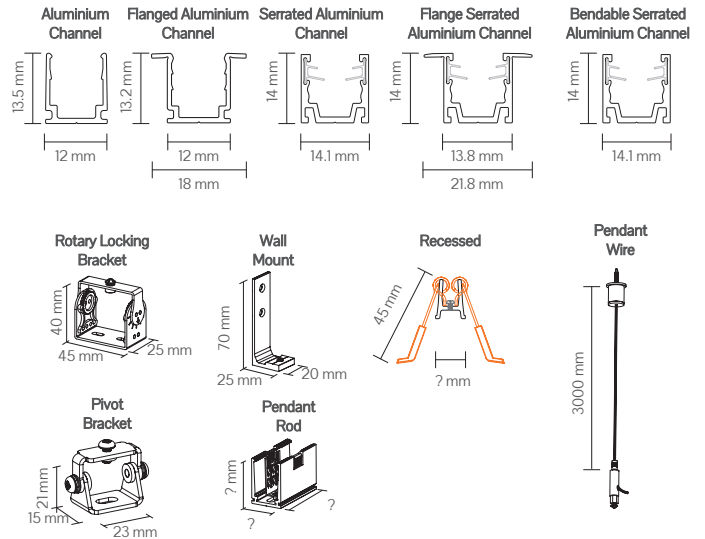
Connectors



Mounting Accessories



Accessory Dimensions



Code

Example: PHVB1010 - 0580DEDO - 2400

Code	Wattage (W/m)		CRI	CCT	lm/m		Connector		Driver		Length
	05	4.5			80	2200K	195	DE	Direct Entry	DO	
PHVB1010	09	9	90	2700K	220	SL	Left side entry	DA	DALI		
				3000K	220	SR	Right side entry	CA	Casambi		
				3500K	220	BE	Bottom Entry	SW	Switch Dim		
				4000K	220			PH	Phase Dim		
				5700K	220						
				CRI>90***							

Lumen/m figures based on, 12W, CRI>80.

FOS Lighting reserve the right to change any data without notification. ### CRI>90 only in 4.5W/m in 2700K, 3000K, 3500K, 4000K