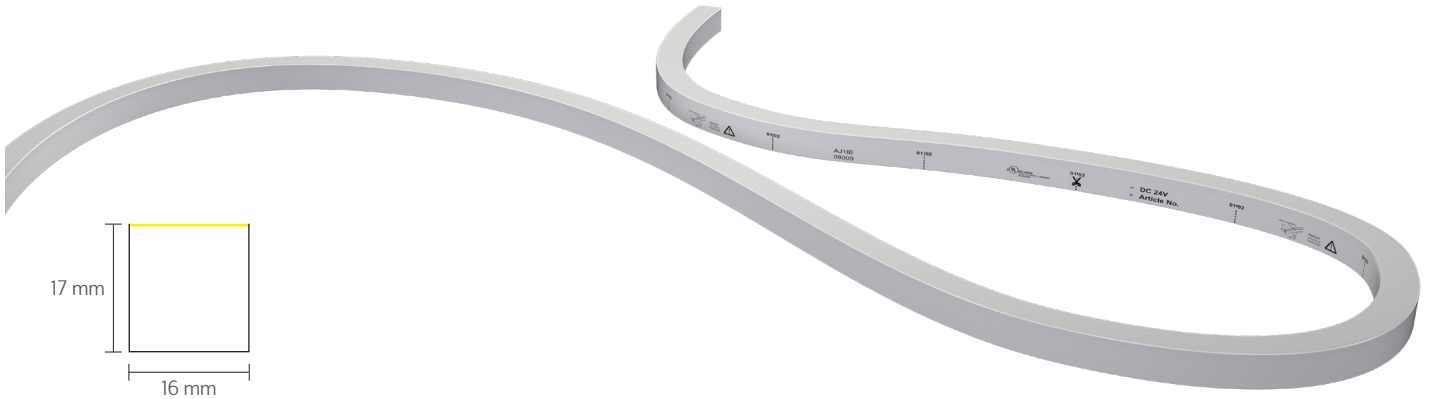
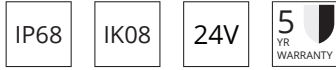


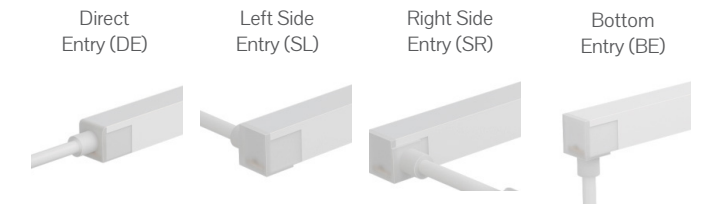
PHHB1617



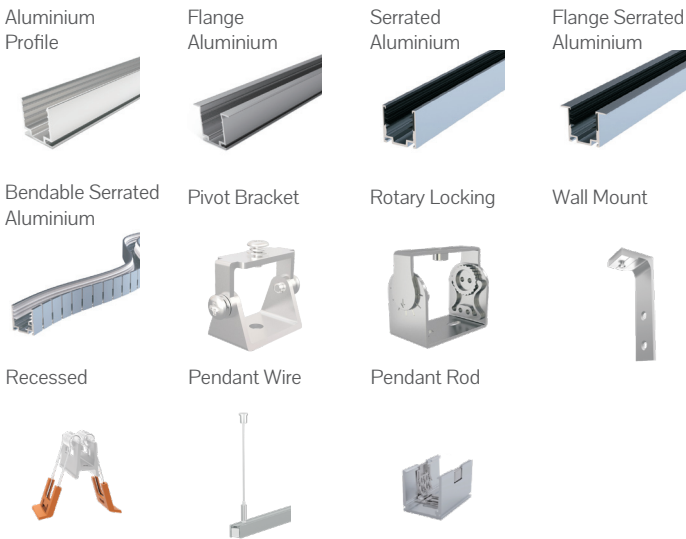
Key Features

- Minimum bend diameter - 300mm
- Ambient working temperature: (-)40°C to (+)55°C
- Bending Direction - Horizontal
- Incremental Order Length (Monochrome) - 55.6mm
- Incremental Order Length (Tunable white) - 83.3mm
- Incremental Order Length (Dim to Warm) - 62.5mm
- Incremental Order Length (RGB / RGBW) - 83.3mm
- SPI Pixel Light options available on request

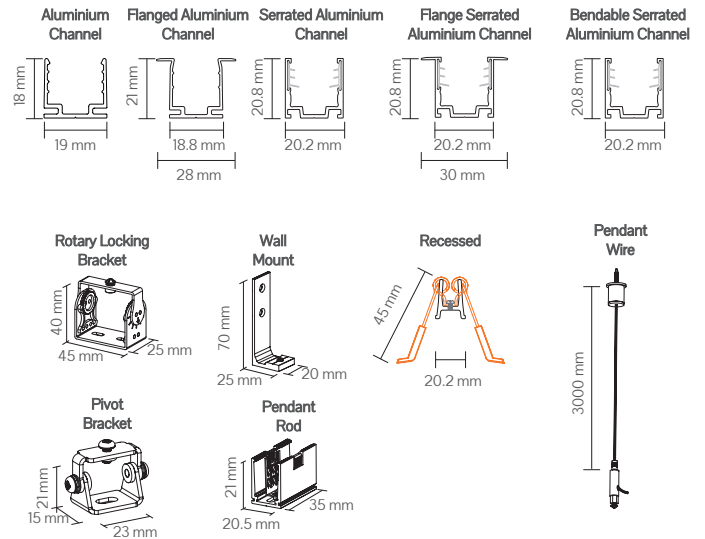
Connectors



Mounting Accessories



Accessory Dimensions



Code

Example:

PHHB1617 -068022DEDO - 2400

Code	Wattage (W/m)		CRI	CCT	lm/m		Connector		Driver		Length	
PHHB1617	06	6	80	CRI>80	22	2200K	380	DE	Direct Entry	DO	Non-Dim	-xxxx
	09	9			27	2700K	470	SL	Left side entry	DA	DALI	
	12	12	90	CRI>90###	30	3000K	470	SR	Right side entry	CA	Casambi	
	15	15			35	3500K	480	BE	Bottom Entry	SW	Switch Dim	
					40	4000K	480			PH	Phase Dim	
					57	5700K	480			RC	2.4Ghz Remote Control	
					TW	2200K-5700K						
					DW	1800K-3000K						
					RGB	RGB						
					R2	RGBW (2700K)						
					R3	RGBW (3000K)						
					R4	RGBW (4000K)						

Lumen/m figures based on, 12W, CRI>80. ## HAWKO Lighting reserve the right to change any data without notification. ### CRI>90 only in 12W/m in 2700K, 3000K, 3500K, 4000K
If this fitting needs to be adjusted on site, contact FOS Lighting before cutting the product
HAWKO Lighting - Neon Flex Range - 2023