

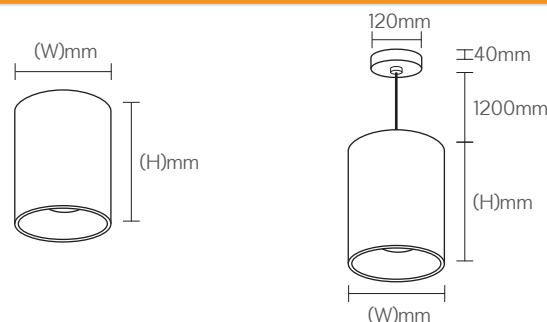
CEILING MOUNTED DEEP TRIM DOWNLIGHT (150 SERIES)



Key Features

- 5 Year Warranty
- CRI>80 (Standard), CRI>90 (Optional)
- 220-240V
- Working Temperature: -20°C to +50°C
- 2mm thick toughened glass diffuser
- Aluminium housing with corrosion resistant powdercoating
- L80 >50000 hours

Dimensions



Technical Information

	Dimensions	Illumination	Lumens @ 60° Beam Angle
	Width (W) x Height (H)	Wattage	Lumens/m
CMD150150	150mm x 150mm	1x15	1623
		1x20	2265
CMD150200	150mm x 200mm	1x15	1623
		1x20	2265
		1x30	3398
CMD150300	150mm x 300mm	1x15	1623
		1x20	2265
		1x30	3398

Code

Example: **CMD150150-S-20-1x15W-3K-80-B-C-ND-12**

Fitting	Mounting		Ingress Protection		Illumination (Wattage)		LED Colour		CRI		Finish (Body + Trim)		Lens Options		Control Gear		Beam Angle																		
	S	P	20	65	1x15W	1x20W	1x30W	1x15	1x20	1x30	3K	4K	6K	3000K	4000K	6000K	80	90	B	BW	BG	W	WB	WG	C	CH	F	FH	ND	DA	12	24	36	60	
CMD150150	S	Surface Mounted	20	IP20	1x15W	1x20W	1x30W	1x15	1x20	1x30	3K	4K	6K	3000K	4000K	6000K	80	90	B	BW	BG	W	WB	WG	C	CH	F	FH	ND	DA	12	24	36	60	
CMD150200	P	Pendant	65	IP65																															
CMD150300	P	Pendant																																	

HAWKO Lighting reserve the right to change any data without notification