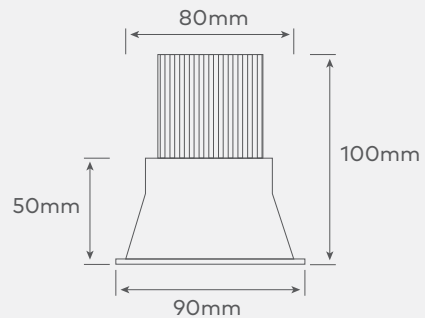


# HYPER 3.1



LED recessed 43mm into frame to minimise glare.  
Frame has a curved edge finish and adjustable light direction.

## DIMENSIONS



Cut-out: 83mm DIA

## WARRANTY

5 years with quality Tridonic driver and CITIZEN LED chip

## FRAME COLOUR

Black & White

## LED COLOUR

2700k CRI90, 3000k CRI 90 or 80, 4000k CRI90

## WATTAGE

9w – 180mA, 12w – 250mA, 15w – 350mA

## BEAM ANGLE

25 Degree, 40 Degree, 60 Degree

## DIMMING

Trailing & Leading Edge Dim standard, DALI on request

## IP RATING

IP20 Standard, IP44 available on request

9W DOWNLIGHT				
Angle	2700K CRI90	3000K CRI90	4000K CRI90	3000K CRI180
25° Beam	719lm	723lm	815lm	850lm
40° Beam	725lm	719lm	804lm	893lm
60° Beam	701lm	692lm	777lm	874lm
12W DOWNLIGHT				
25° Beam	997lm	1040lm	1111lm	1222lm
40° Beam	1013lm	1035lm	1152lm	1264lm
60° Beam	944lm	996lm	1115lm	1199lm
15W DOWNLIGHT				
25° Beam	1326lm	1374lm	1464lm	1613lm
40° Beam	1362lm	1368lm	1444lm	1605lm
60° Beam	1319lm	1316lm	1395lm	1531lm

## ORDER CODES

Wattage	Frame Colour	LED Colour	Beam Angle	CRI Rating	IP Rating	Dimming
9w	B Black	27k 2700k	25 25°	90 CRI90*	20 IP20*	STD Trailing and Leading Edge Dim*
12 w	W White	3k 3000k	40 40°	80 CRI180	44 IP44	
15w		4k 4000k	60 60°			DALI DALI Dim

## HYPER 3.1



\*Standard Component

Head to [hawko.com.au](http://hawko.com.au) for more information

