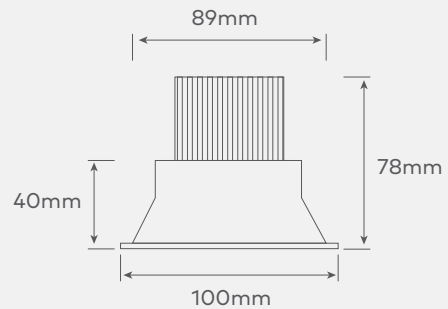


HYPER 3.2



LED recessed 22mm into frame to minimise glare. Frame has a straight edge finish.

DIMENSIONS



Cut-out: 92mm DIA

WARRANTY

5 years with quality Tridonic driver and CITIZEN LED chip

FRAME COLOUR

Black & White

LED COLOUR

2700k CRI90, 3000k CRI 90 or 80, 4000k CRI90

WATTAGE

9w – 180mA, 12w – 250mA, 15w – 350mA

BEAM ANGLE

25 Degree, 40 Degree, 60 Degree

DIMMING

Trailing & Leading Edge Dim standard, DALI on request

IP RATING

IP20 Standard, IP44 available on request

9W DOWNLIGHT				
Angle	2700K CR190	3000K CR190	4000K CR190	3000K CR180
25° Beam	719lm	723lm	815lm	850lm
40° Beam	725lm	719lm	804lm	893lm
60° Beam	701lm	692lm	777lm	874lm
12W DOWNLIGHT				
25° Beam	997lm	1040lm	1111lm	1222lm
40° Beam	1013lm	1035lm	1152lm	1264lm
60° Beam	944lm	996lm	1115lm	1199lm
15W DOWNLIGHT				
25° Beam	1326lm	1374lm	1464lm	1613lm
40° Beam	1362lm	1368lm	1444lm	1605lm
60° Beam	1319lm	1316lm	1395lm	1531lm

ORDER CODES

Wattage	Frame Colour	LED Colour	Beam Angle	CRI Rating	IP Rating	Dimming
9w	B Black	27k 2700k	25 25°	90 CRI90*	20 IP20*	STD Trailing and Leading Edge Dim*
12 w	W White	3k 3000k	40 40°	80 CRI80	44 IP44	
15w		4k 4000k	60 60°			DALI DALI Dim

HYPER 3.2



*Standard Component

Head to hawko.com.au for more information

hawko