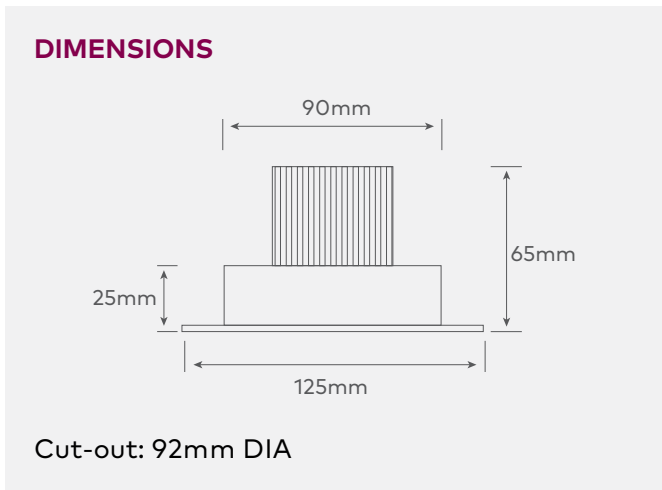


HYPER 2.3



LED flush with frame with large size flange. Frame has adjustable light direction.



Note: 20mm smaller heat sink available for the 11w and 9w. 20mm high heat sink supplied for 21w fittings.

WARRANTY

5 years with quality Tridonic driver and CITIZEN LED chip

FRAME COLOUR

Black & White

LED COLOUR

2700k, 3000k, 4000k – CRI97 (CRI80 3k available on request)

WATTAGE

9w – 180mA, 11w – 250mA, 15w – 350mA, 21w – 500mA

BEAM ANGLE

18 Degree, 25 Degree, 40 Degree, 60 Degree

DIMMING

Trailing & Leading Edge Dim standard, DALI on request

IP RATING

IP20 only

FILTERS

Honeycomb and Frosted

	Angle	2700K CRI97	3000K CRI97	4000K CRI97
9W	25° Beam	650lm	654lm	738lm
	40° Beam	659lm	650lm	728lm
	60° Beam	634lm	626lm	703lm
11W	25° Beam	850lm	895lm	990lm
	40° Beam	871lm	891lm	987lm
	60° Beam	839lm	904lm	971lm
15W	25° Beam	1157lm	1209lm	1327lm
	40° Beam	1145lm	1186lm	1322lm
	60° Beam	1120lm	1206lm	1315lm
21W	25° Beam	1569lm	1639lm	1820lm
	40° Beam	1603lm	1686lm	1922lm
	60° Beam	1488lm	1649lm	1776lm

Note: 18 Degree Beam Angle results available upon request.

ORDER CODES

Wattage	Frame Colour	LED Colour	Beam Angle	CRI Rating	IP Rating	Dimming	Filters
9w	B Black	27k 2700k	18 18°	97 CRI97*	20 IP20*	STD Trailing and Leading Edge Dim*	HC Honeycomb
11w	W White	3k 3000k	25 25°	80 CRI80			FR Frosted
15w		4k 4000k	40 40°				
21w			60 60°			DALI DALI Dim	

HYPER 2.3



*Standard Component

Head to hawko.com.au for more information

hawko