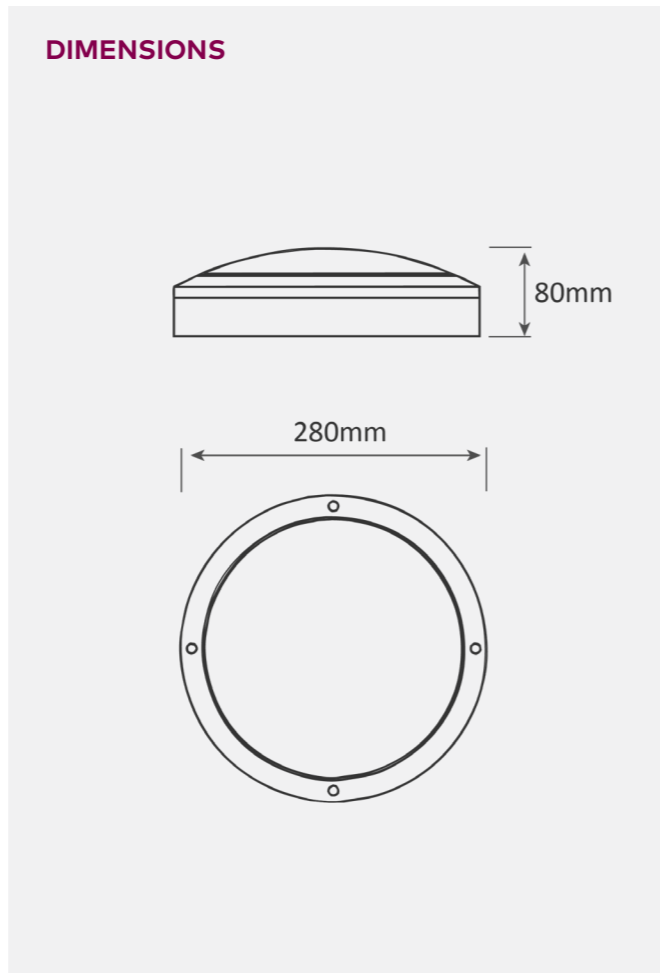
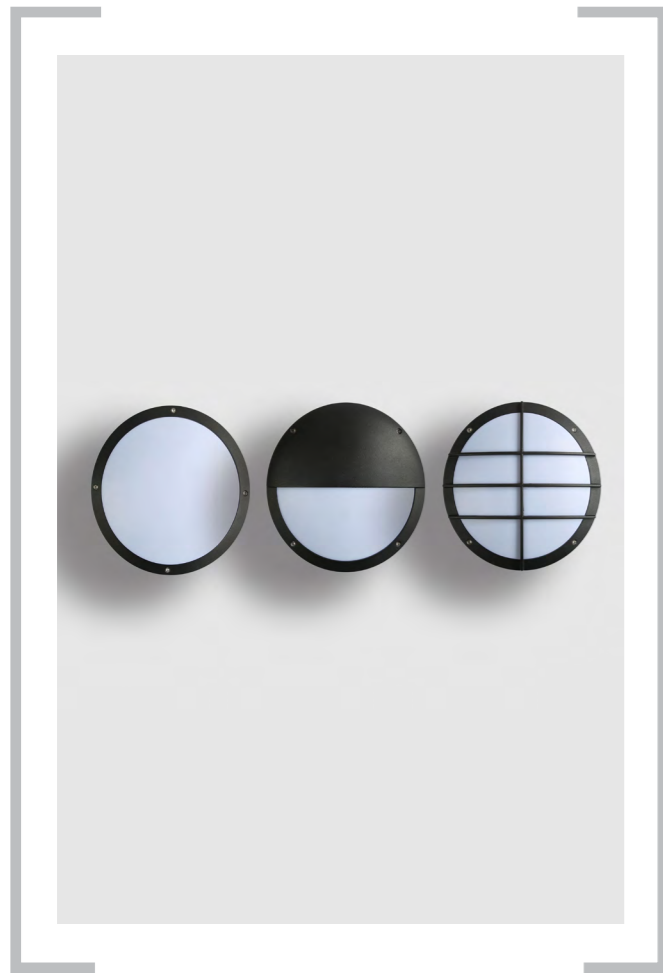


BULKHEAD



VOLTAGE
100 - 240v A.C. Input

CRI
CRI80 (CRI95 Optional)

IP RATING
IP65 Weatherproof

LED COLOUR TEMPERATURES
3000k (Warm White)
4000k (Natural White)
5000k (Pure White)

OPERATING TEMPERATURE
-30 to +70 degrees Celsius

LED TYPE
Samsung SMD LED

MOUNTING
Wall mounted to surface using wall mount bracket included

WARRANTY
5 years

DRIVER
Non Dim Integral Gear

ILLUMINATION
Single Beam - Direct

FINISH
Die cast aluminium housing with powder coated finish

FITTING QUALITY
Fire resistant silicone seal waterproof gasket and 2mm thick PC diffuser

SERIES	DIMENSIONS	ILLUMINATION	FINISH					UNIQUE CODE
			B	W	M	BR	G	
FULL DIFFUSER	280mm x 80mm	1 x 15w	●	●	●	●	●	BFD28080
		1 x 20w	●	●	●	●	●	
HALF DIFFUSER	280mm x 80mm	1 x 15w	●	●	●	●	●	BHD28080
		1 x 20w	●	●	●	●	●	
GRILL DIFFUSER	280mm x 80mm	1 x 15w	●	●	●	●	●	BGD28080
		1 x 20w	●	●	●	●	●	

FINISH GUIDE B Black W White M Stainless Steel Mirror BR Stainless Steel Brushed G Grey ● Colour Available

280 SERIES	ILLUMINATION	OUTPUT
	1 x 15w	759 lm
1 x 20w	1096 lm	

ORDER CODES

LED Colour	CRI Rating	Finish	Control Gear
3k 3000k	80 CRI80	B Black	ND Non Dim
4k 4000k	95 CRI95	G Grey	
5k 5000k			

BULKHEAD

